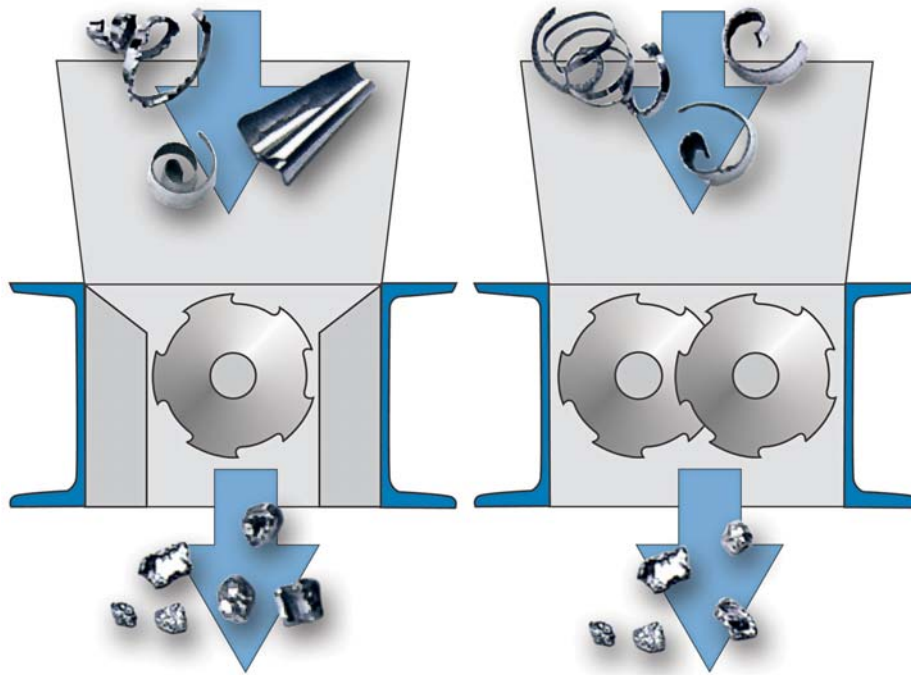


ARP - Chip Crushers



ARP - Chip Crushers



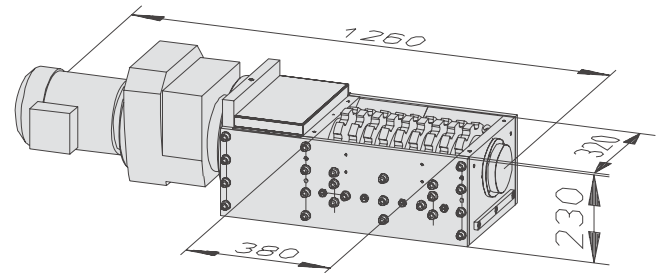
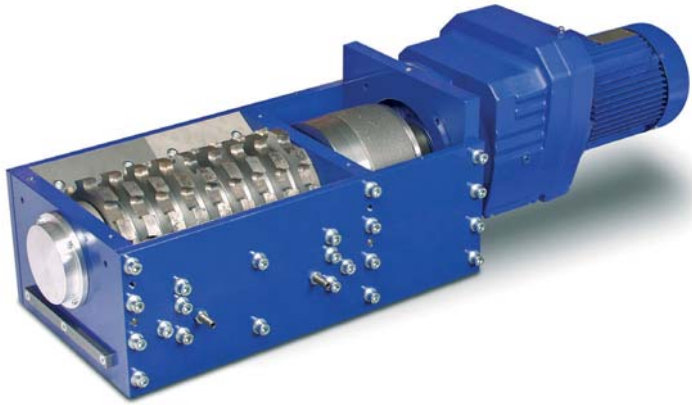
For breaking up steel chips, aluminium chips, non-ferrous metals. The granulate can be pumped or moved by suction.

The size reduction of the chips is imperative for transportation in pipe systems. ARP chip cutting unit systems with a chip chamber screen ensure a uniform pumpable chip quality.

In conjunction with drying, breaking-up considerably increases market value of the chips.

The cutting unit is protected against overloads and over-sized pieces by a specific control system.

Single-Shaft Chip Crusher EZ 4



Properties:

Cutters: 9 exchangeable ten-tooth, four-tooth or two-tooth, also combinable depending on the volume of chips.

Application: Breaking up of steel chips, aluminium chips, non-ferrous metals

Pumpable or transportable by suction (max.1.5 kg/min)

Drive power: 2.2 kW

Weight: approx. 270 kg



Punched screen plate

Punched screen plates with various hole diameters are available, in order to obtain the desired chip quality.

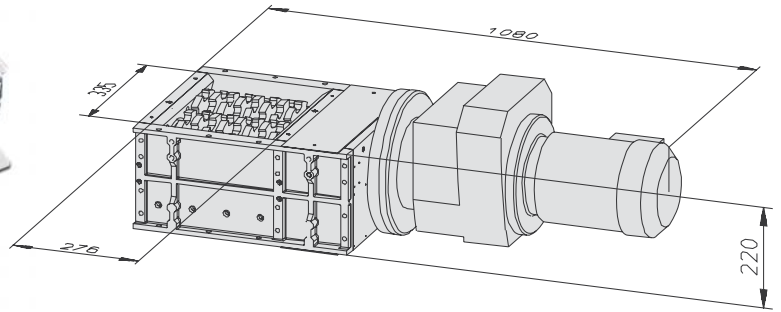
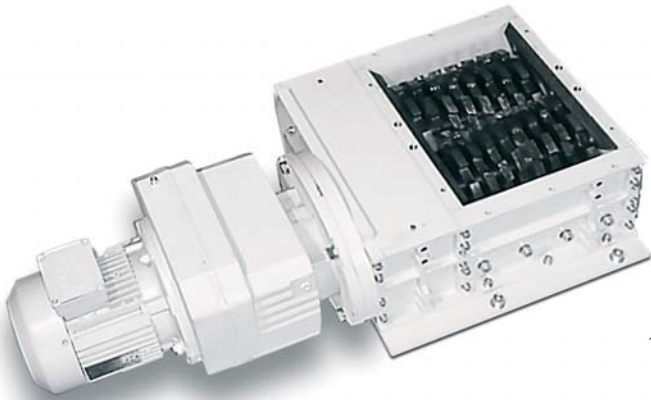


10-tooth cutter



4-tooth cutter

Double-Shaft Chip Crusher ZW 300



Properties:

Cutters: 16 exchangeable nine-tooth janus-faced cutters+ 2 toothless discs

Application: breaking up of steel chips, aluminium chips, non-ferrous metals

Pumpable or transportable by suction (max.1.2 kg/min)

Drive power: 1.5 kW

Weight: approx. 250 kg



Punched screen plate

Punched screen plates with various hole diameters are available, in order to obtain the desired chip quality.

If the size of the chip after the crusher is not relevant, scrapers can also be used instead of the punched screen plate.

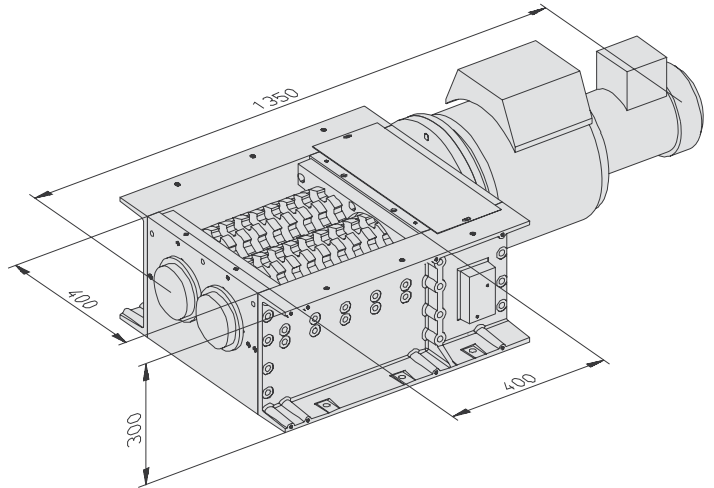


Scraper



9-tooth cutter

Double-Shaft Chip Crusher ZW 400



Properties:

Cutters: 18 exchangeable ten-tooth or four-tooth janus-faced cutters

Application: breaking up of steel chips, aluminium chips, non-ferrous metals

Pumpable or transportable by suction (max. 3.5 kg/min)

Drive power: 3.0 kW

Weight: approx. 500 kg



Punched screen plate

Punched screen plates with various hole diameters are available, in order to obtain the desired chip quality.

If the size of the chip after the crusher is not relevant, scrapers can also be used instead of the punched screen plate.



Scraper

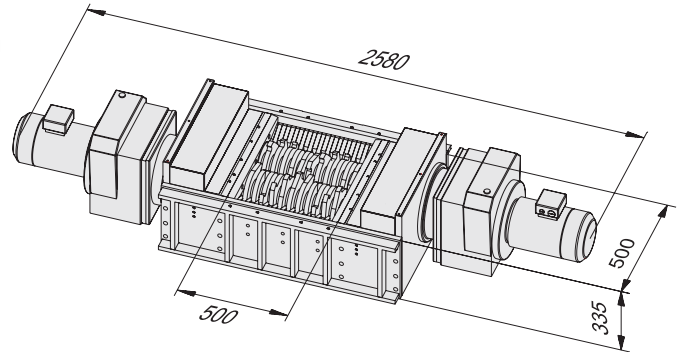


10-tooth cutter



4-tooth cutter

Double-Shaft Chip Crusher ZW 500



Properties:

Cutters: 22 exchangeable ten-tooth janus-faced cutters or four-tooth cutters + 2 toothless discs

Application: breaking up of steel chips, aluminium chips, non-ferrous metals

Pumpable or transportable by suction

Drive power:

Single-motor : 1 x 5.5 kW

Double-motor : 2 x 5.5 kW

Spur wheel back-geared motors

Weight with single-motor: approx. 1.200 kg

Weight with double-motor: approx. 1.500 kg



Punched screen plate

Punched screen plates with various hole diameters are available, in order to obtain the desired chip quality.

If the size of the chip after the crusher is not relevant, scrapers can also be used instead of the punched screen plate.

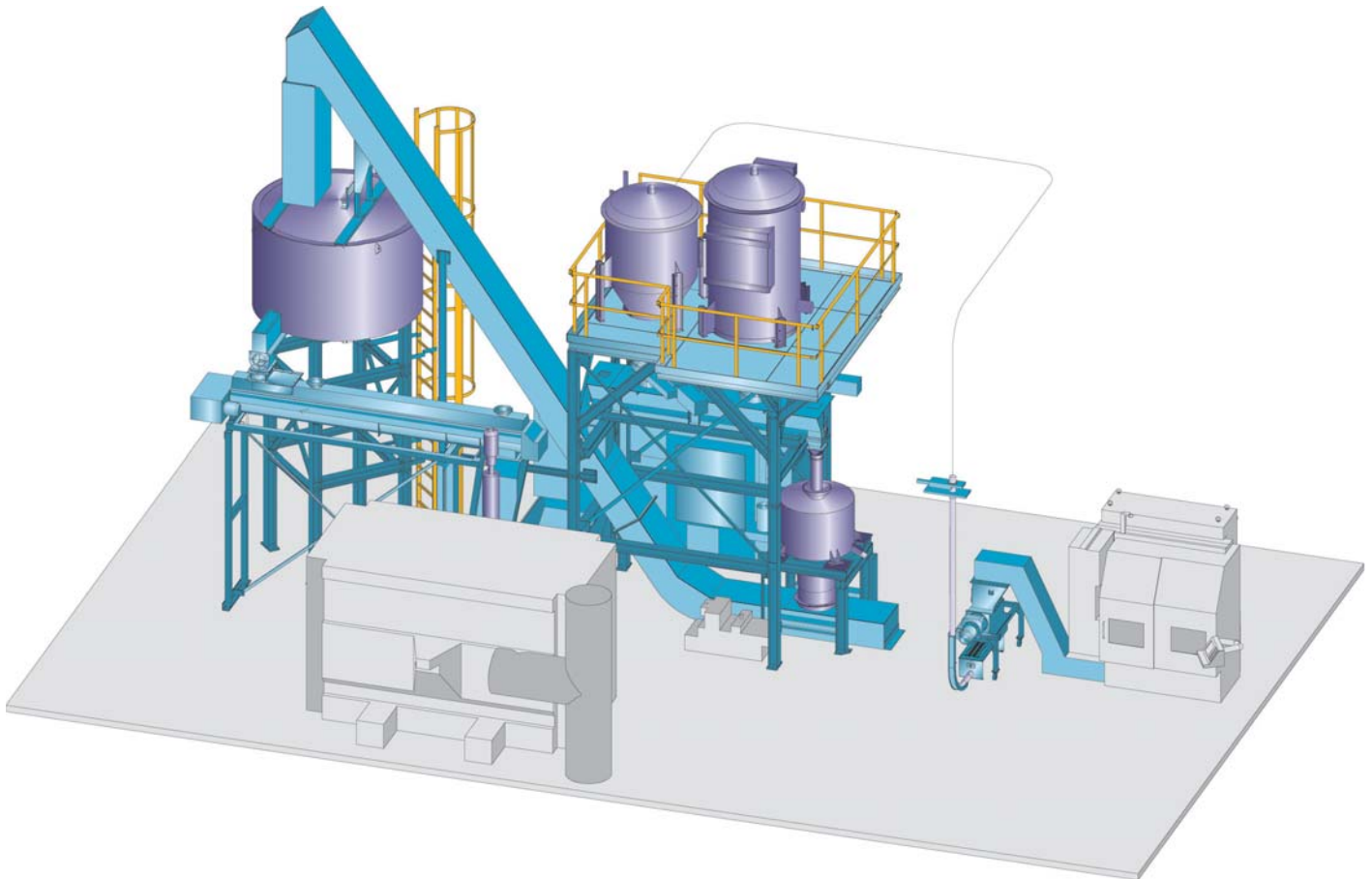


Scraper



10-tooth cutter

ARP Product Range



Chip disposal systems

- Above-floor pumping systems
- Vacuum extraction systems
- Chip processing systems
- Breaking up
- Centrifuging
- Transport
- Chip silo technology

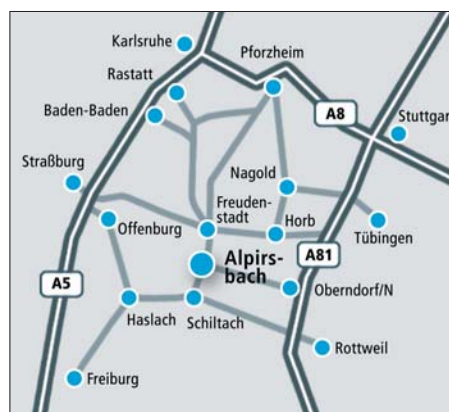
Size reduction machines

- Size reduction of waste
- Recycling plants
- Granulation
- Food processing
- Paper, plastic, textile processing



Extract from our reference list:

- AAG Austria Alu-Guß Ges. m.b.H
- Adam Opel AG
- Airbus Deutschland GmbH
- Alutec Metallwaren GmbH & Co.
- Audi AG
- BBS Kraftfahrzeugtechnik AG
- BMW AG
- Borbet
- Bosch Rexroth - Brüninghaus
- Car Image Co. Ltd
- Daimler Chrysler AG
- Gero GmbH
- General Motors
- Handtmann GmbH & Co.KG
- IBT GmbH
- IMS Gear Automotive
- Konzelmann GmbH
- Kronprinz Aluguß GmbH
- Lupold Hydrotechnik GmbH
- MTU Friedrichshafen GmbH
- Rhode & Schwarz
- Ronal
- Sihn
- SRF
- VW AG
- Weiss
- Weisser St. Georgen
- ZF AG



ARP GmbH & Co. KG
 Industriestraße 37
 D - 72275 Alpirsbach-Peterzell
 Tel.: 07444 / 95150
 Fax: 07444 / 951560

www.arp-mb.de